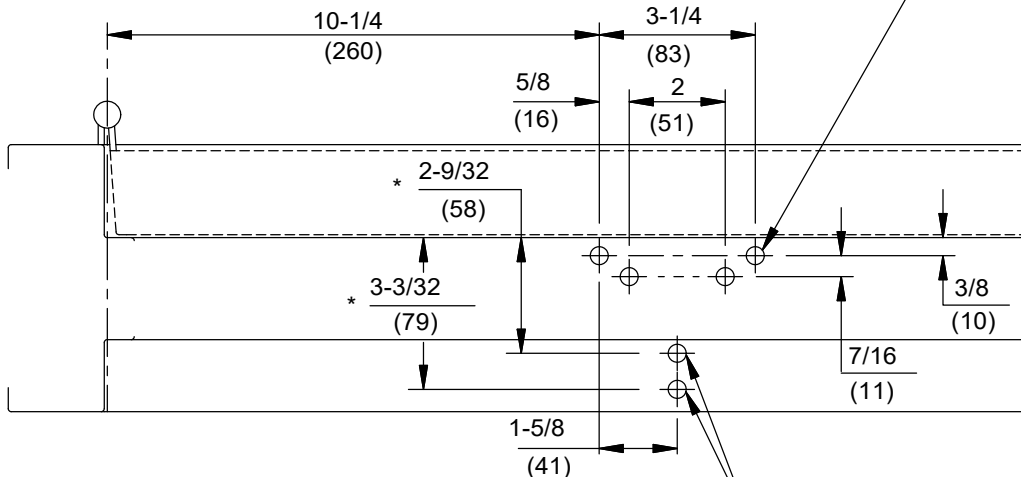


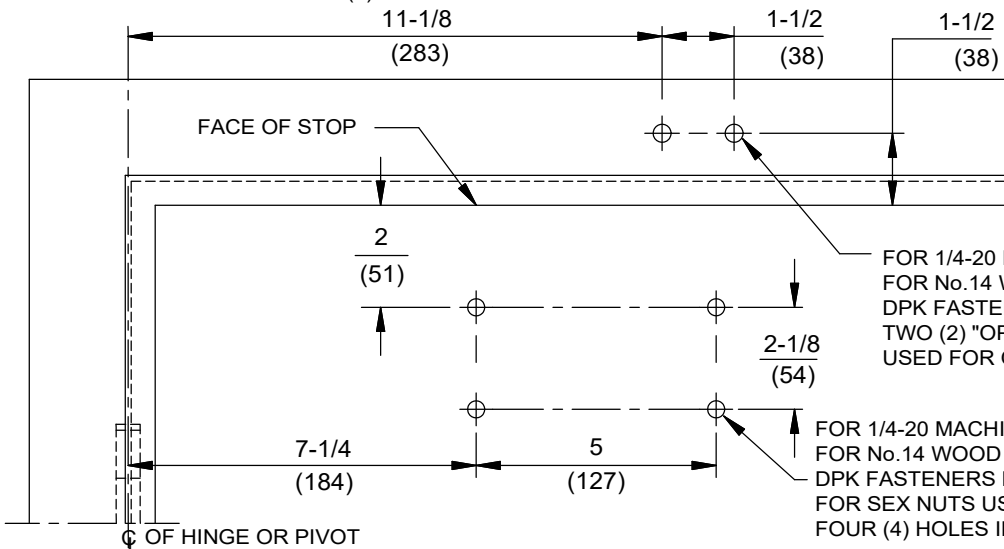
FOR 1/4-20 MACHINE SCREWS USE 7/32" DRILL & TAP
 FOR No.14 WOOD SCREWS USE 5/32" DRILL
 DPK FASTENERS DRILL 1/8" PILOT HOLE
 FOUR (4) HOLES IN SOFFIT FOR SOFFIT PLATE



*IMPORTANT: CHOOSE APPROPRIATE FIFTH HOLE LOCATION FOR SPACER BLOCK, IN ACCORDANCE WITH FRAME WIDTH. ONE (1) HOLE IN FRAME FOR BLOCK

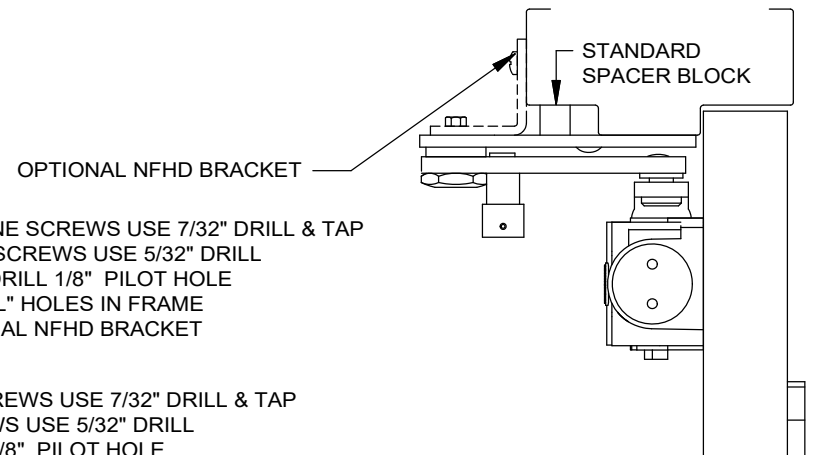
NOTES:

1. DO NOT SCALE DRAWING.
2. DIMENSIONS ARE IN INCHES/(MM).
3. LEFT HAND DOOR SHOWN.
4. CAUTION: SEX NUTS ARE REQUIRED FOR ATTACHMENT OF COMPONENTS TO UNREINFORCED DOORS AND TO WOOD OR PLASTIC FACED COMPOSITE TYPE FIRE DOORS, UNLESS AN ALTERNATIVE METHOD IS IDENTIFIED IN THE INDIVIDUAL DOOR MANUFACTURER'S LISTINGS.
5. FOR FRAME WIDTHS 4-1/2" AND LESS USE OPTIONAL NFHD BRACKET.
6. MINIMUM DOOR WIDTH 26".
7. MAXIMUM OPENING 98°.
8. HOLD OPEN 90° WHEN SUPPLIED.
9. OPTIONAL DPK FASTENERS (DPK89) FOR STEEL DOOR & FRAME ONLY.



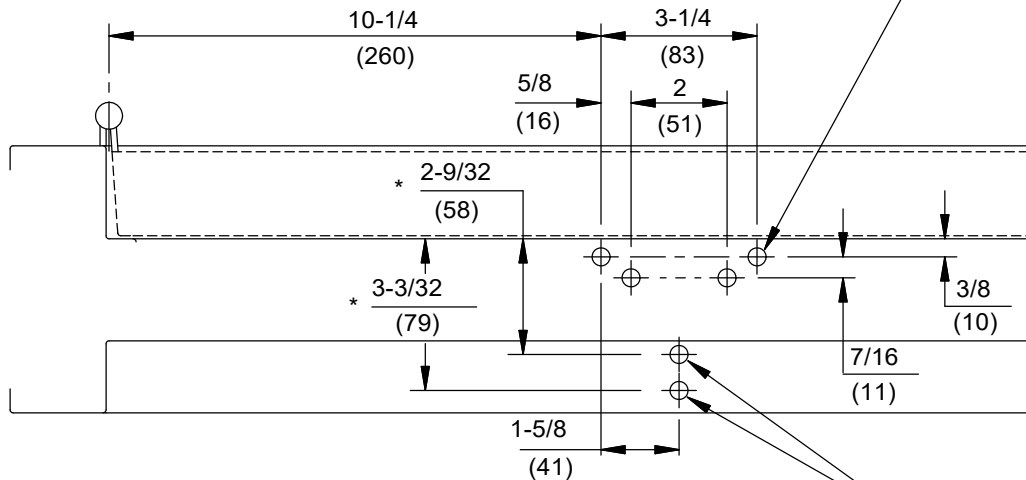
FOR 1/4-20 MACHINE SCREWS USE 7/32" DRILL & TAP
 FOR No.14 WOOD SCREWS USE 5/32" DRILL
 DPK FASTENERS DRILL 1/8" PILOT HOLE
 TWO (2) "OPTIONAL" HOLES IN FRAME USED FOR OPTIONAL NFHD BRACKET

FOR 1/4-20 MACHINE SCREWS USE 7/32" DRILL & TAP
 FOR No.14 WOOD SCREWS USE 5/32" DRILL
 DPK FASTENERS DRILL 1/8" PILOT HOLE
 FOR SEX NUTS USE 3/8" DRILL
 FOUR (4) HOLES IN DOOR FOR CLOSER

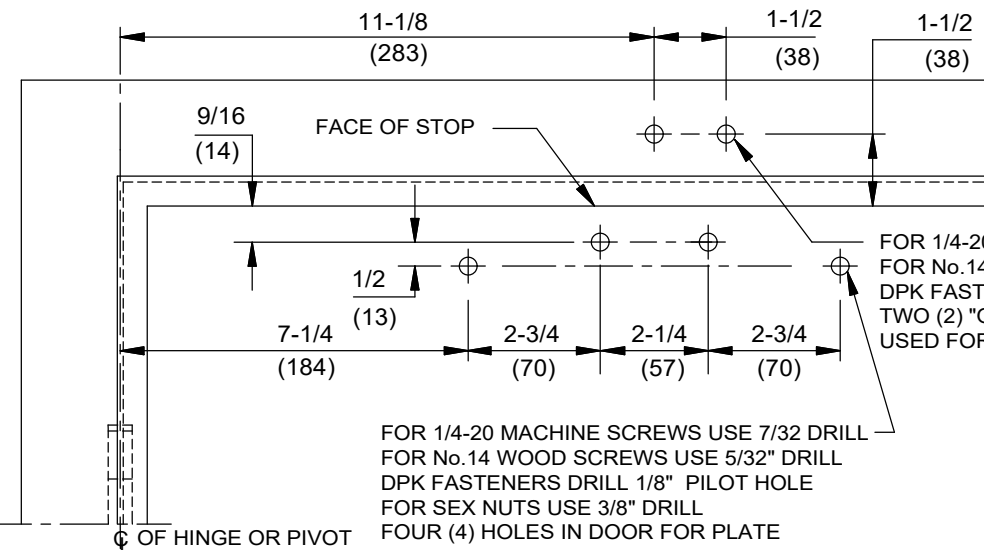


DOOR CLOSER MODELS: 8916, 8956 SPA, SPAT, SPAK x ABP
 PARALLEL ARM INSTALLATION (PUSH SIDE MOUNT)
 WITH STANDARD SPACER BLOCK
 OPTIONAL NFHD BRACKET AND BSHD BLADE STOP SPACER BLOCK

FOR 1/4-20 MACHINE SCREWS USE 7/32 DRILL & TAP
 FOR No.14 WOOD SCREWS USE 5/32" DRILL
 DPK FASTENERS DRILL 1/8" PILOT HOLE
 FOUR (4) HOLES IN SOFFIT FOR SOFFIT PLATE



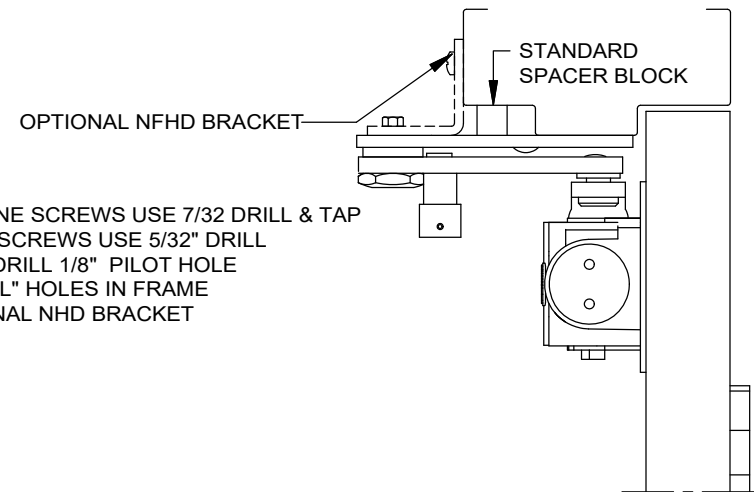
*IMPORTANT: CHOOSE APPROPRIATE FIFTH HOLE LOCATION FOR SPACER BLOCK, IN ACCORDANCE WITH FRAME WIDTH. ONE (1) HOLE IN RABBET FOR BLOCK



FOR 1/4-20 MACHINE SCREWS USE 7/32 DRILL
 FOR No.14 WOOD SCREWS USE 5/32" DRILL
 DPK FASTENERS DRILL 1/8" PILOT HOLE
 FOR SEX NUTS USE 3/8" DRILL
 FOUR (4) HOLES IN DOOR FOR PLATE

NOTES:

1. DO NOT SCALE DRAWING.
2. DIMENSIONS ARE IN INCHES/(MM).
3. LEFT HAND DOOR SHOWN.
4. CAUTION: SEX NUTS ARE REQUIRED FOR ATTACHMENT OF COMPONENTS TO UNREINFORCED DOORS AND TO WOOD OR PLASTIC FACED COMPOSITE TYPE FIRE DOORS, UNLESS AN ALTERNATIVE METHOD IS IDENTIFIED IN THE INDIVIDUAL DOOR MANUFACTURER'S LISTINGS.
5. FOR FRAME WIDTHS 4-1/2" AND LESS USE OPTIONAL NFHD BRACKET.
6. MINIMUM DOOR WIDTH 26".
7. MAXIMUM OPENING 98°.
8. HOLD OPEN 90° WHEN SUPPLIED.
9. OPTIONAL DPK FASTENERS (DPK89) FOR STEEL DOOR & FRAME ONLY.



DOOR CLOSER MODELS: 8916, 8956 SPA, SPAT, SPAK x ABP
 PARALLEL ARM INSTALLATION (PUSH SIDE MOUNT)
 WITH STANDARD SPACER BLOCK AND PLATE BP89
 OPTIONAL NFHD BRACKET AND BSHD BLADE STOP SPACER BLOCK